



Shure Brothers Incorporated
222 Hartrey Avenue
Evanston IL 60202-3696 U.S.A.

Phone: 800-257-4873 Fax: 847-866-2279
 In Europe, Phone: 49-7131-72140 Fax: 49-7131-721414
 Internationally, Phone: 847-866-2200 Fax: 847-866-2585
 Web Address: <http://www.shure.com>

MODEL BETA 52

Specification Sheet

MODEL BETA 52

DESCRIPTION

The Shure BETA 52 is a specialized dynamic instrument microphone with a tailored frequency response designed specifically for kick drums and other bass instruments. It provides superb attack and "punch," and delivers studio quality sound even at extremely high sound pressure levels.

The BETA 52 features a modified supercardioid pattern to ensure high gain before feedback and excellent rejection of unwanted sound. A built-in dynamic locking stand adapter with an integral XLR connector simplifies installation, particularly if the microphone is to be placed inside a kick drum. The stand adapter keeps the microphone position fixed and resists slipping, even when subjected to sharp blows and strong vibrations. A hardened steel mesh grille protects the BETA 52 from the abuse and wear associated with touring.

Features

- *Frequency response shaped specifically for kick drums and bass instruments*
- *Built-in dynamic locking stand adapter with integral XLR connector simplifies setup, especially inside a kick drum*
- *Studio quality performance, even at extremely high sound pressure levels*
- *Modified supercardioid pattern for high gain before feedback and superior rejection of unwanted sound*
- *Hardened steel mesh grille that resists wear and abuse*
- *Advanced pneumatic shock mount system that minimizes transmission of mechanical noise and vibration*
- *Neodymium magnet*
- *Low sensitivity to varying load impedance*
- *Legendary Shure quality and reliability*

SPECIFICATIONS

Type

Dynamic (moving coil)

Frequency Response

20 to 10,000 Hz (see *Frequency Response*, page 2)

Polar Pattern

Modified supercardioid, rotationally symmetrical about microphone axis (see *Polar Patterns*, page 2)

Impedance

Rated at 150 Ω (45 Ω actual) for connection to microphone inputs rated low Z

Output Level (at 1,000 Hz)

Open Circuit Voltage: -84 dB* (0.06 mV)

*0 dB = 1 ν/μ bar

Hum Pickup (at 60 Hz)

Maximum 15.0 mV in 10 oe field

Maximum 26.5 dB equivalent SPL per 1 moe

Polarity

Positive pressure on diaphragm produces positive voltage on pin 2 with respect to pin 3

Maximum SPL

174 dB at 1000 Hz (calculated)

Connector

Three-pin professional audio connector (male XLR)

Case

Silver blue enamel-painted die cast metal with hardened, matte-finished steel mesh grille

Adjustable, Locking Stand Adapter

Integral, dynamic locking, adjustable through 180°, with standard $5/8$ "-27 thread

Net Weight

605 grams (21.6 oz)

Certification

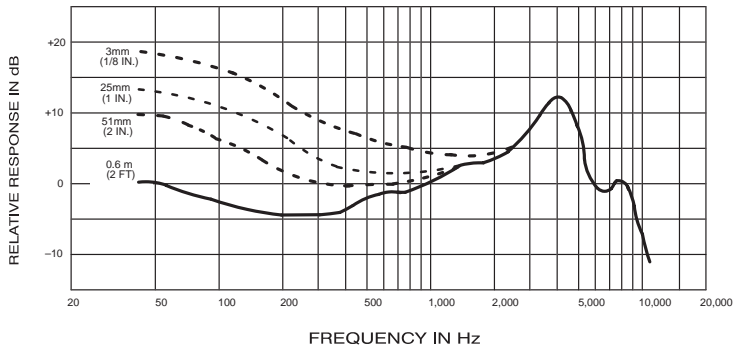
Conforms to European Union directives, eligible to bear CE marking; meets European Union EMC Immunity Requirements (EN 50 082-1, 1992); RF radiated (IEC 801-3); ESD (IEC 801-2); EFT (IEC 801-4).

FURNISHED ACCESSORIES

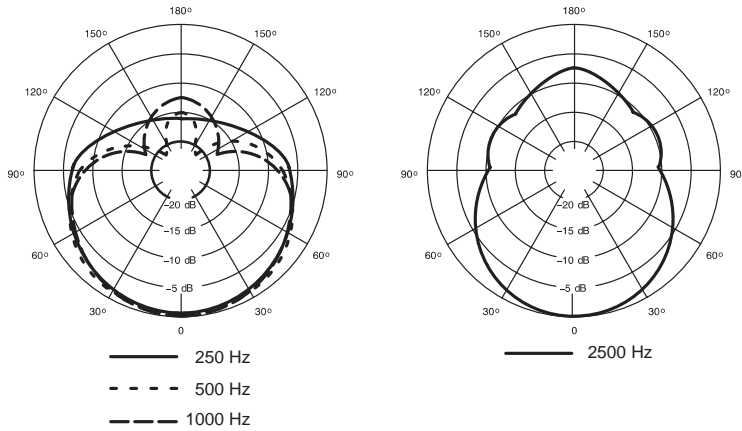
Storage Bag 26A21

$5/8$ " to $3/8$ " (Euro) Thread Adapter 95A2050

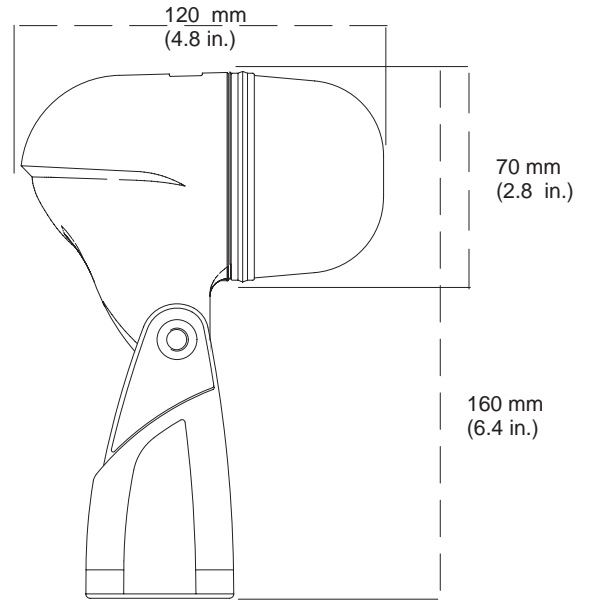




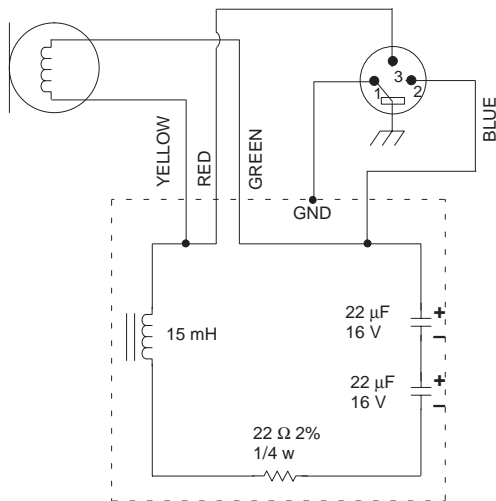
FREQUENCY RESPONSE



POLAR PATTERNS



DIMENSIONS



INTERNAL CONNECTIONS

SHURE

THE SOUND OF PROFESSIONALS...WORLDWIDE®

Shure Brothers Incorporated

222 Hartrey Avenue, Evanston, Illinois U.S.A. 60202-3696

Phone: 1-847-866-2200 Fax: 1-847-866-2279

In Europe: 49-7131-72140 Fax: 49-7131-721414

Other International: 1-847-866-2200 Fax: 1-847-866-2585